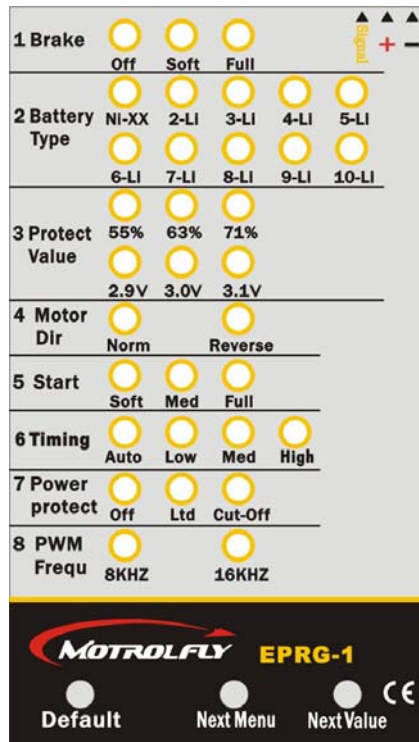




E-PRG-1 Programming Card

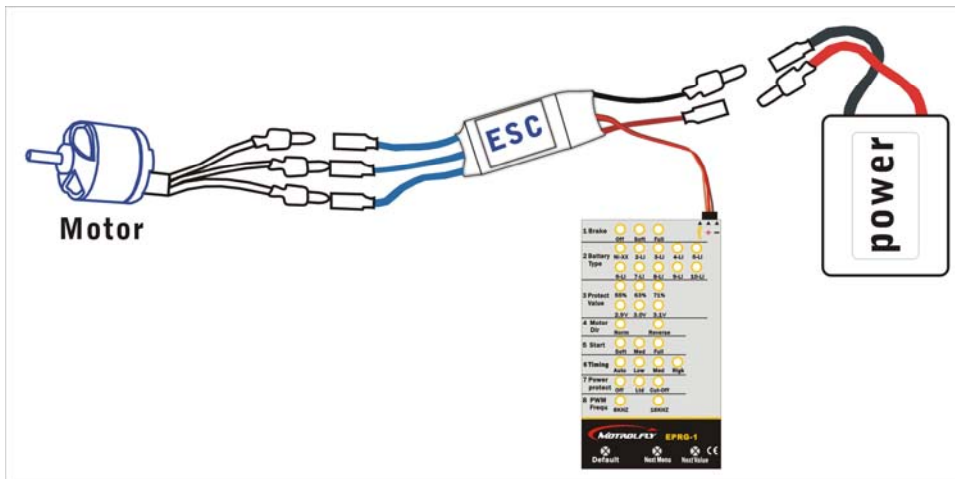
E-PRG-1 Programming Card is for enhancing Motrofly programmable ESCs' settings and programming functions. It has a friendly user interface and easy to use.



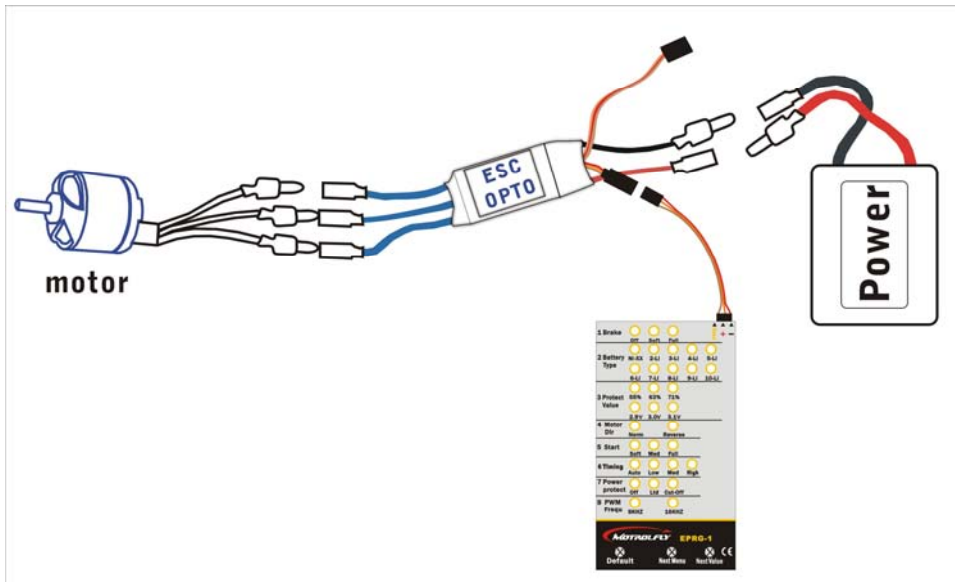
Operation Instructions:

1. Disconnecting power pack from ESC
2. Connecting BEC plug of ESC to Programming Card
3. Connecting power pack to ESC
4. Some LEDs on the Programming Card will light. It shows current settings of ESC
5. Using "Next Menu" button for selecting programming item. Using "Next Value" button for value setting of a selected item.
6. When a setting is selected, the red LED will flash, press "Next Menu" button for confirming the setting
7. Repeat 5 and 6 for other settings
8. "Default" button is for resetting the ESC to factory setting (details about factory setting of ESC, please refer to instructions of ESC)

Connection to ESCs with BEC



Connection to ESCs OPTO



Note:

1. The Programming Card works for Motrolfly ESCs only.
2. Every Motrolfly ESC of FM10A, FM20A and FM30A has a BEC plug (JR connector), it is for connecting to receiver and also for connecting to Programming Card. For FM40A, FM60A, FM80A and FM120A, there are two JR connectors on each ESC. The one with long wire is for connecting to receiver. The one with short wire is for connecting to Programming Card.